

DH-HAC-HDW1200EM

2Megapixel 1080P Water-proof HDCVI IR Eyeball Camera



Features

- 1/2.7" 2Megapixel CMOS
- 25/30fps@1080P, 25/30/50/60fps@720P
- High speed, long distance real-time transmission
- HD and SD switchable
- OSD Menu, control over coaxial cable
- DWDR, Day/Night(ICR), AWB, AGC, BLC, 2DNR
- 3.6mm fixed lens (6mm optional)
- Max. IR LEDs length 50m, Smart IR
- IP67, DC12V

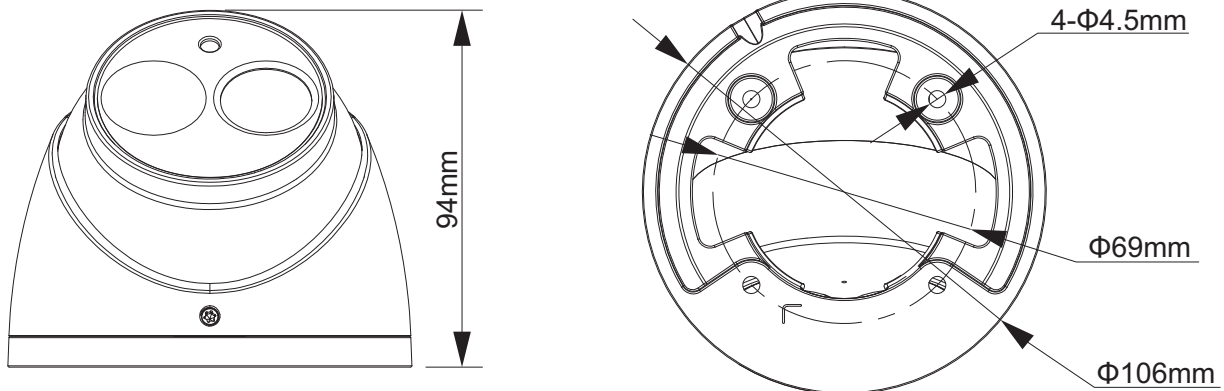
DH-HAC-HDW1200EM

Technical Specifications

Model	DH-HAC-HDW1200EMP	DH-HAC-HDW1200EMN
Camera		
Image Sensor	1/2.7" 2Megapixel CMOS	
Effective Pixels	1920(H)×1080(V)	
Electronic Shutter	1/25~1/100000s	1/30~1/100000s
Video Frame Rate	25/50fps@720P; 25fps@1080P	30/60fps@720P; 30fps@1080P
Synchronization	Internal	
Mini. Illumination	0.02Lux/F2.0, 0Lux IR on	
Video Output	1-channel BNC high definition video output/ CVBS standard definition video output (Can switch)	
Camera Features		
Max. IR LEDs Length	50m, Smart IR	
Backlight Compensation	DWDR	
Day/Night	Auto(ICR) / Color / B/W	
Noise Reduction	2D	
OSD Menu	Support	
Lens		
Focal Length	3.6mm (6mm optional)	
Angle of View	H: 89.9° (59.4°)	
Mount Type	M12	
General		
Power Supply	DC12V±25%	
Power Consumption	Max 3.3W	
Working Environment	-40°C~+60°C / Less than 95%RH (no condensation)	
Transmission Distance	Over 500m via 75-3 coaxial cable	
Ingress Protection	IP67	
Dimensions(W×D×H)	Φ106mm×94mm	
Weight	0.3kg	
Material	Metal	

DH-HAC-HDW1200EM

Dimensions (mm)



Accessories (optional)

		
PFA139	PFB204W	PFA152

Dahua Technology Co., Ltd.

1199 BinAn Road, Binjiang District, Hangzhou, China

Tel: +86-571-87688883

Fax: +86-571-87688815

Email: overseas@dahuatech.com

www.dahuatech.com

*Design and specifications are subject to change without notice.

© 2014 Dahua Technology Co., Ltd.